

Three-phase meter quick installation guide

1. Scope

This type of inverter integrate the export power limitation function, to use this function, please refer this installation guide to install the three-phase meter and set the inverter.

2. Three-phase installation

This meter is suitable for the following Solis inverter models :

Solis-3P(5-20)K-4G



NOTE:

The meter has been preset for direct installation on site. No need to change any parameters on the meter.



WARNING:

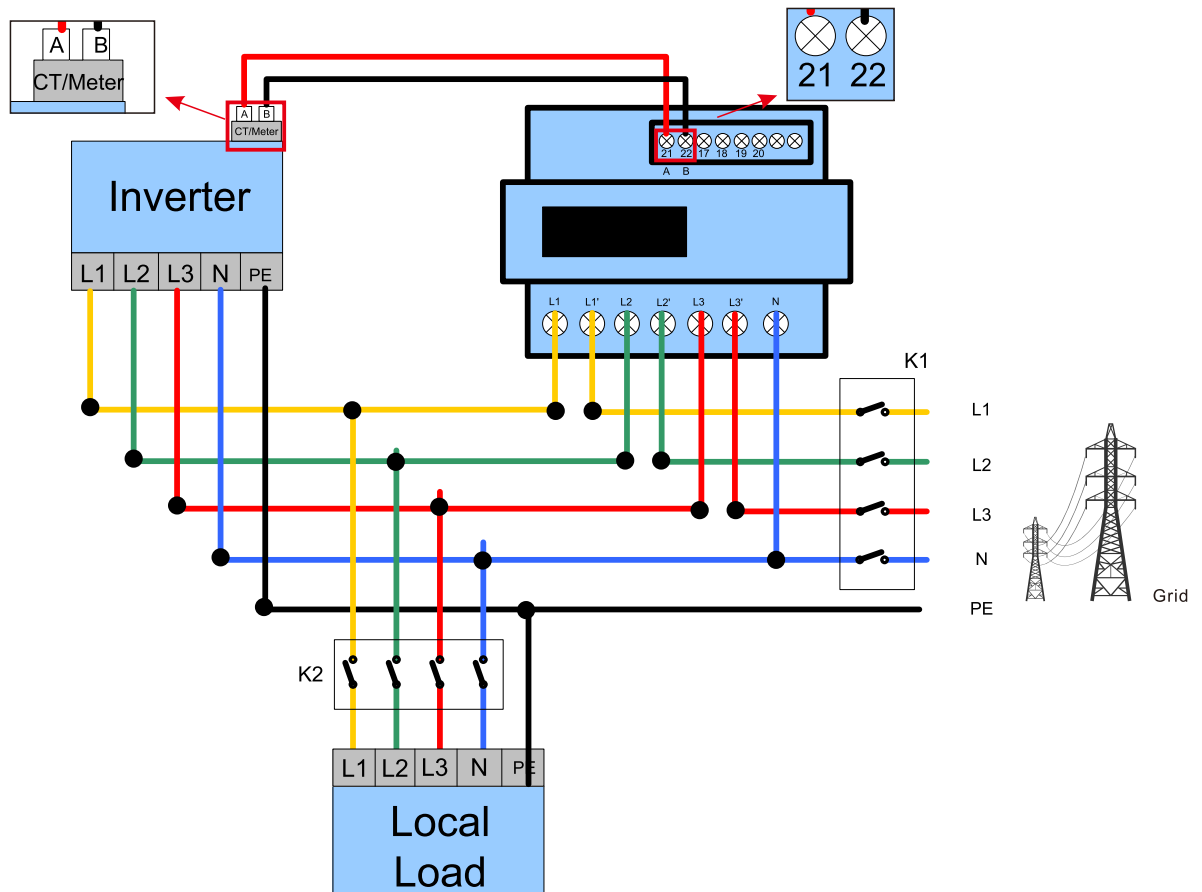
Please disconnect or switch off the upstream and downstream electrical connection before conduct the meter installation.

Otherwise there will be risk of electric shock.

The three-phase meter



System drawing



**NOTE:**

When connect the meter, make sure the mark "L1", "L2", "L3" are connected at the Grid side and the "L1", "L2", "L3" are connected at the load/inverter side.

3. Setting on the inverter (default setting is "OFF")

Enter the menu.

Advanced Settings → 0010 → Internal EPM Set → Mode Select → Meter in Grid → Select "ON"

4. Meter Specification

Model Name	DTSD1352
Grid Topology	3P+N
Rated Voltage	3*220/380V
Input Current	3*10(80)A
Accuracy	Voltage $\pm 0.2\%$ Current $\pm 0.2\%$ Power(P,Q,S) $\pm 0.5\%$ Active Energy Class 0.5S/1 Reactive Energy Class 2
Operating Temperature	-25°C~55°C
Relative Humidity	<95% (Non-condensing)
Dimension	126.5L*88.2W*69.5H (mm)